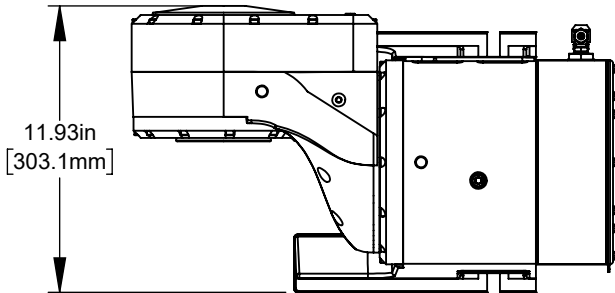
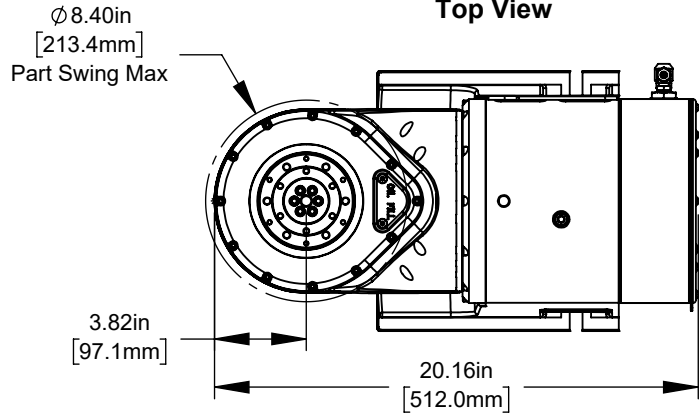


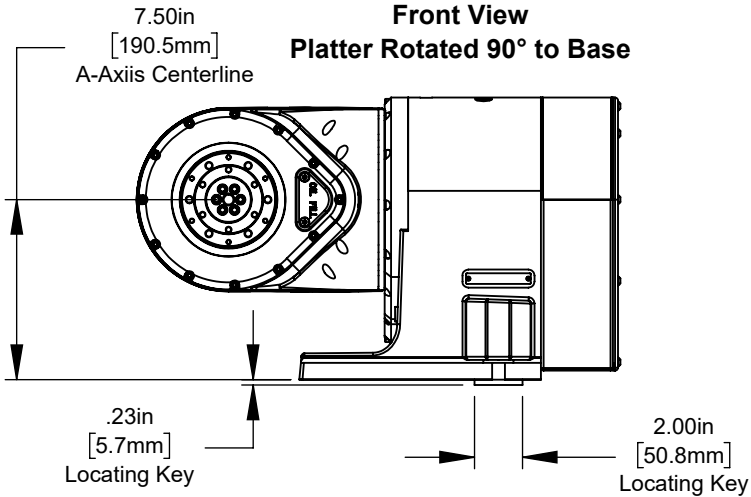
Top View
Platter Rotated 90° to Base



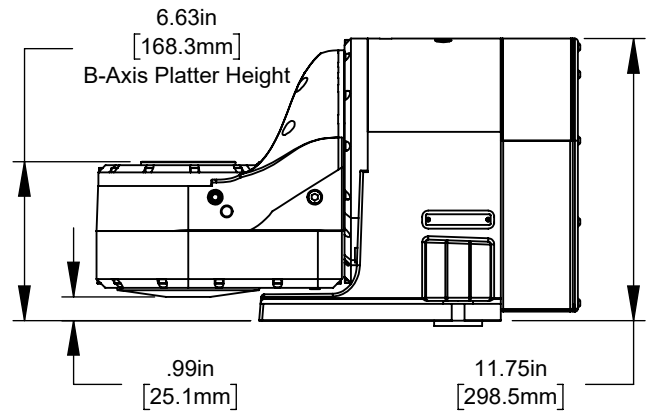
Top View



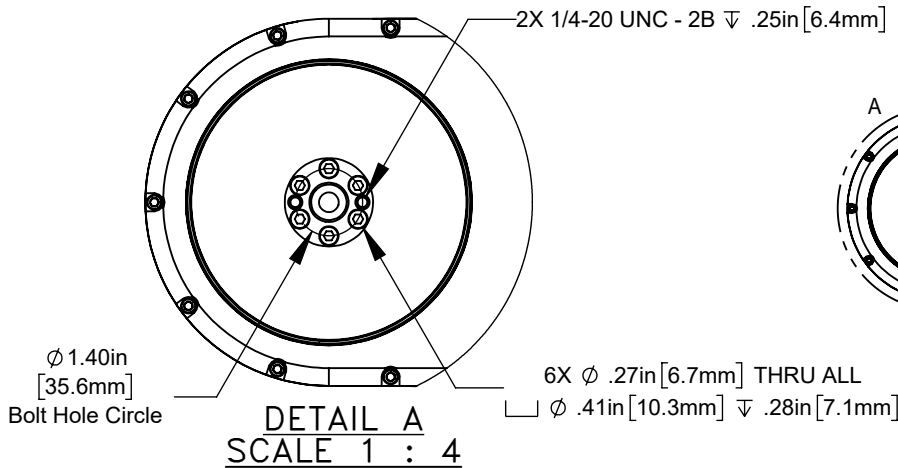
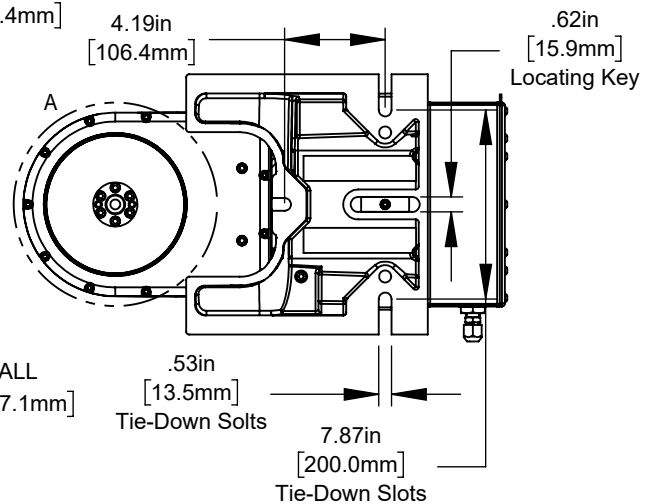
Front View
Platter Rotated 90° to Base



Front View



Bottom View



All dimensions based on stackup of sheetmetal, subject to variation of 1/2" (13 mm)

